





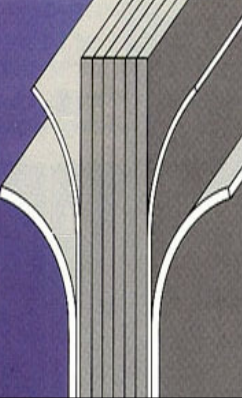


## Swing Doors


 <p><b>Corner Tabs</b> Standard Wide 3/4" 1-1/4"</p>	 <p>Heavy Duty D Shape Gasket 9/16" P/N: 6340</p>	 <p>3/4" Sea-Lok Door Seal 14' stick</p>	 <p><b>Sea-Lok Glue</b></p>
	 <p>Dorsey Style Aluminum Door Trim 3/4" P/N: 2807785 Length: 10'</p>	 <p>Tru-Seal Door Gasket P/N: 6203 / 6237 3/4" x 14'</p>	



### Swing Doors

PART NO.	THICKNESS	LENGTH
SDB 1/2X110W	1/2"	110"
SDB 1-1/4X110W	1-1/4"	110"
SDB 3/4X110W	3/4"	110"
SDB 3/4X120W	3/4"	121"
SDB 3/4X120SST	3/4"	121"

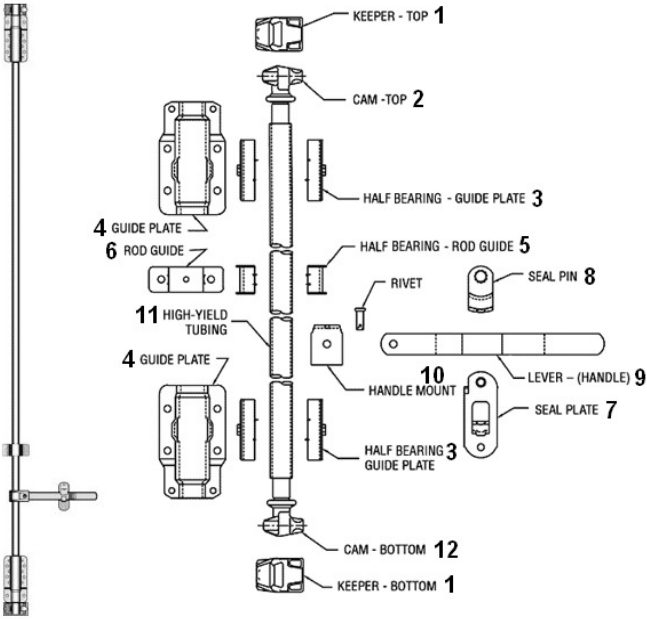
W = WHITE  
SST = STAINLESS STEEL



**Swing Door PPW 18"x18" Repair Kit**  
PPW Face, Galvanized back plate, dual durometer gasket

Save Labor, Quick Repair

### Lockrod Parts



Item	Qty.	Description	Part No.
1	2	Keeper	1064
2	2	Rod end,	4044
3	2	Cam guide bearing	4042PR
4	2	Cam Guide	4207
5	2	Rod guide bearing	4006PR
6	1	Rod guide	4005
7	1	Seal plate	4011
8	1	Seal pin	4012
9	1	Lever handle	4090
10	1	Handle mount	4208
11	1	Lock Shaft**	5000
12	1	Rod end	4043